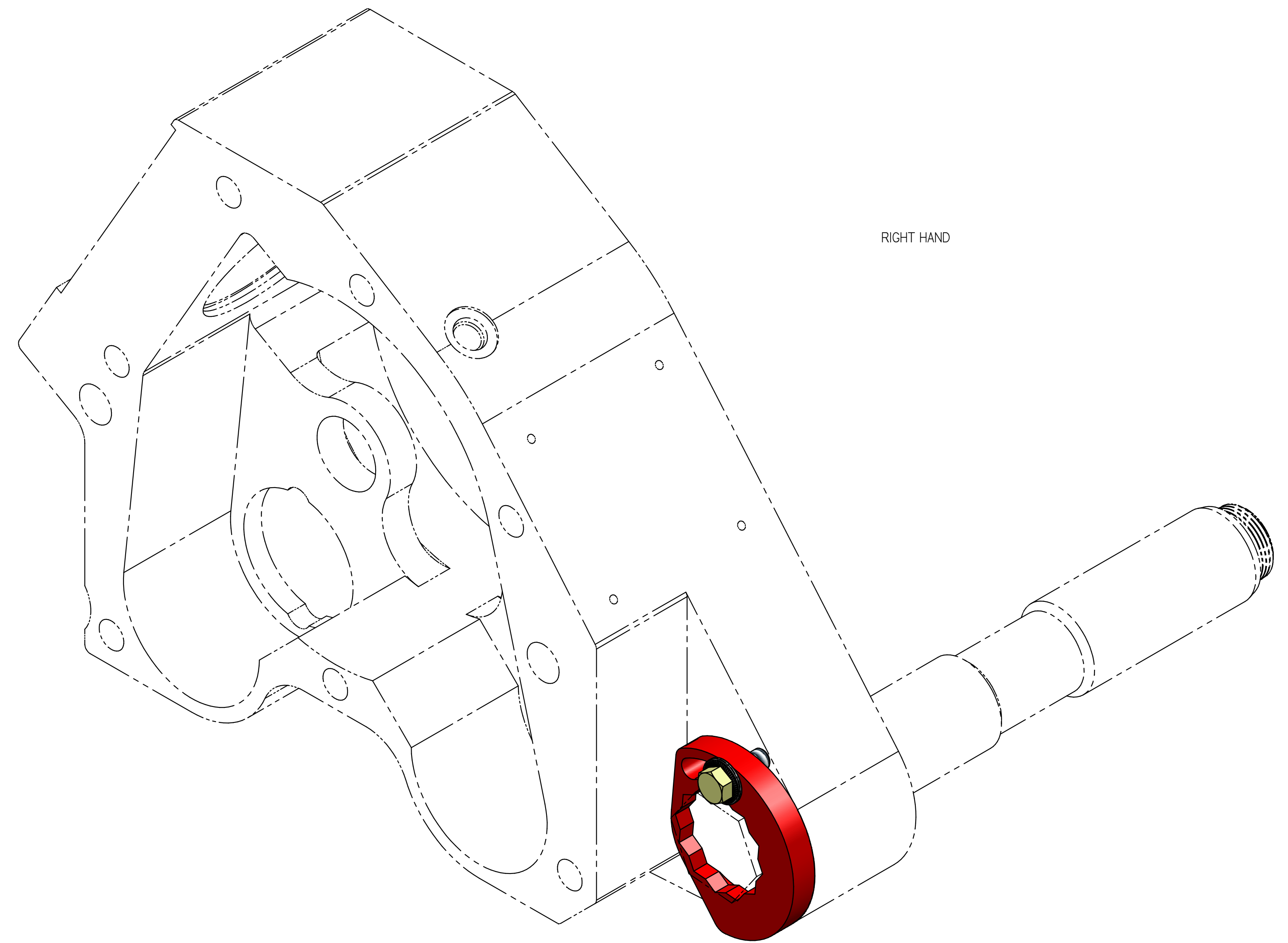
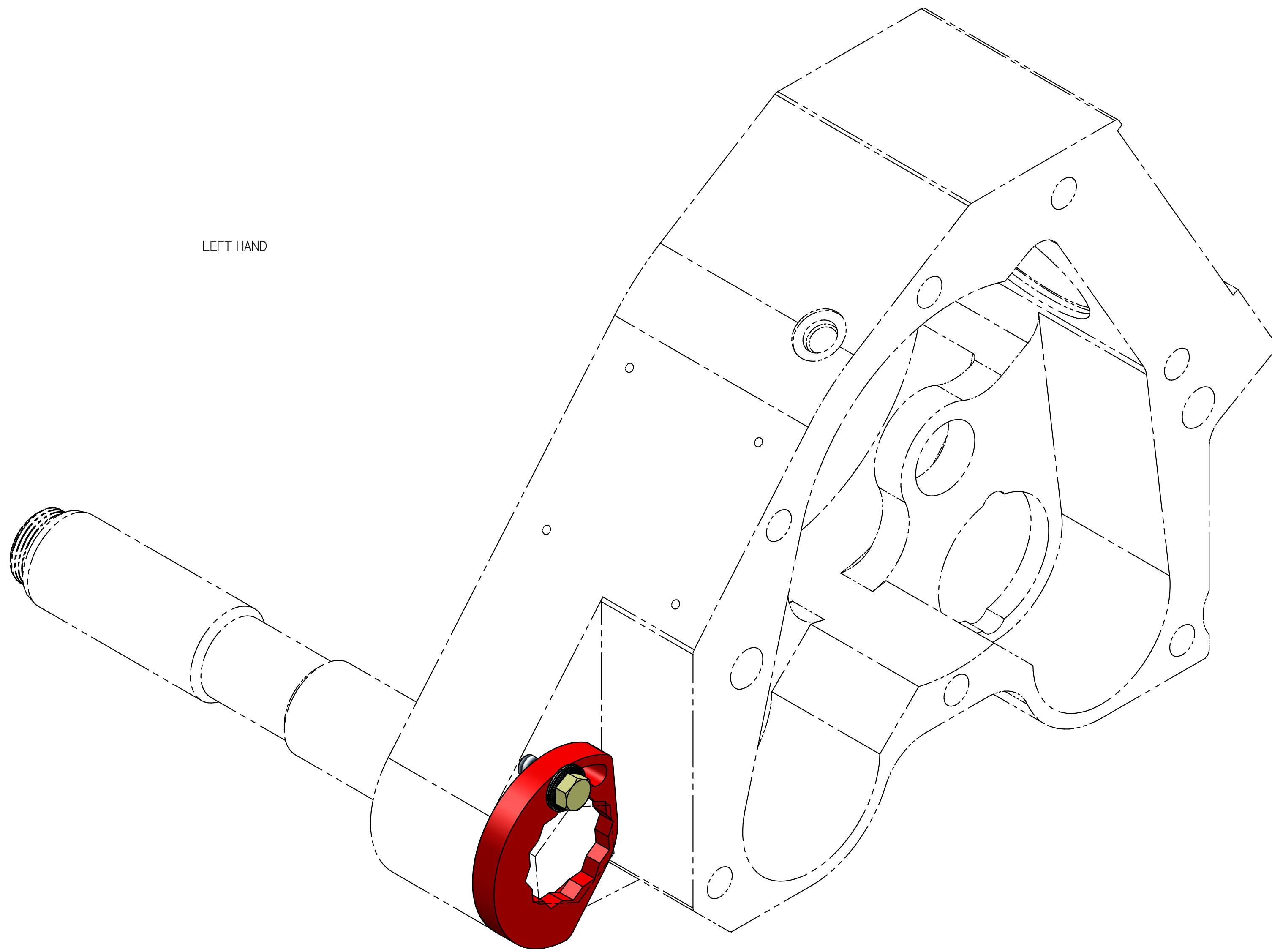


LEFT HAND

RIGHT HAND



4	2		CAPSCREW, HEX HEAD	
3	2		WASHER	
2	1	M364000777-02	RETAINER	
1	1	M364000777-01	RETAINER	
NO.	QTY.	PART NUMBER	DESCRIPTION	WT.
TOLERANCE UNLESS OTHERWISE NOTED				
FRACTIONS + 1/16		DECIMALS + 0.10		
ANGLES + 1/2 DEGREE		SURFACE FINISH <input checked="" type="checkbox"/> ZN		
BREAK ALL SHARP EDGES		CONCENTRICITY <input type="checkbox"/> 0.10/FIN		
			BRONCO	
			KIT, SW HINGE RETAINER	
APPROVED	DRAWN	CHECKED	PART NUMBER	REV.
KJD	DWR	MAL	M364000782	
SIMILAR TO	NEXT ASSY.	SCALE	WT.	#

ALL OF THE PRODUCTS LISTED/SHOWN ARE MANUFACTURED TO EXACTING STANDARDS BY BRONCO MANUFACTURING, L.L.C. WHERE APPLICABLE, THE ORIGINAL 'MANUFACTURER'S' PART NUMBERS MAY HAVE BEEN PROVIDED FOR REFERENCE AND COMPATIBILITY PURPOSES ONLY. NO ENDORSEMENT OR AFFILIATION WITH THE ORIGINAL MANUFACTURE IS INTENDED OR SHOULD BE ASSUMED IF SUCH PART NUMBERS ARE LISTED/SHOWN.