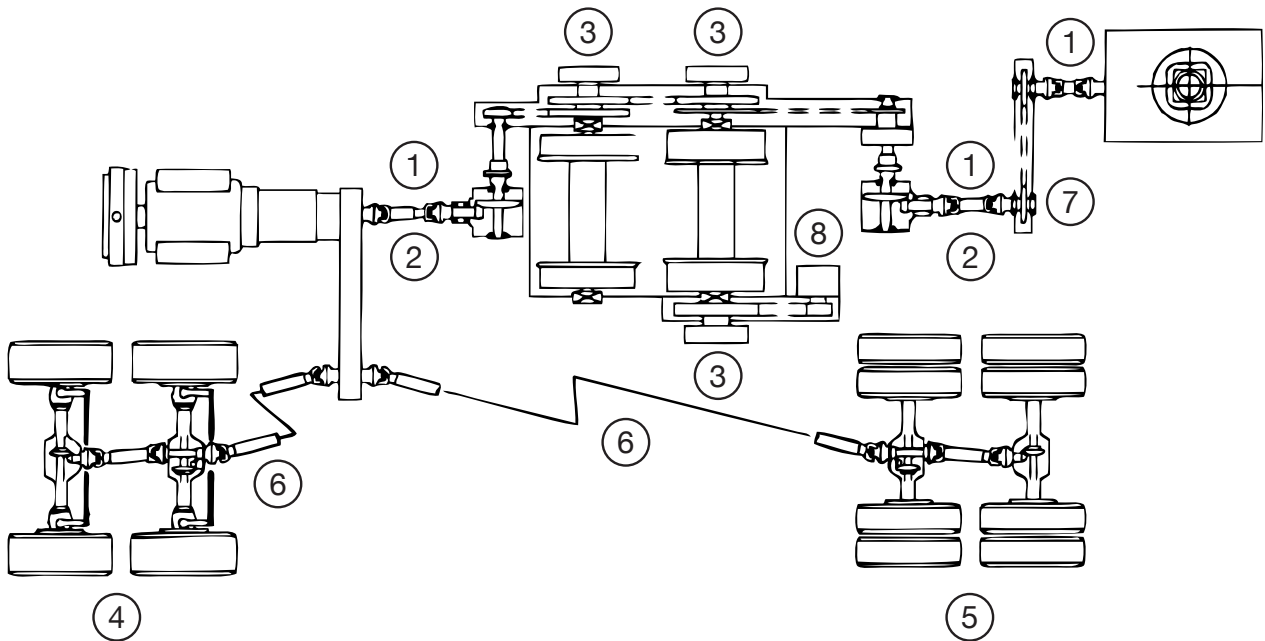
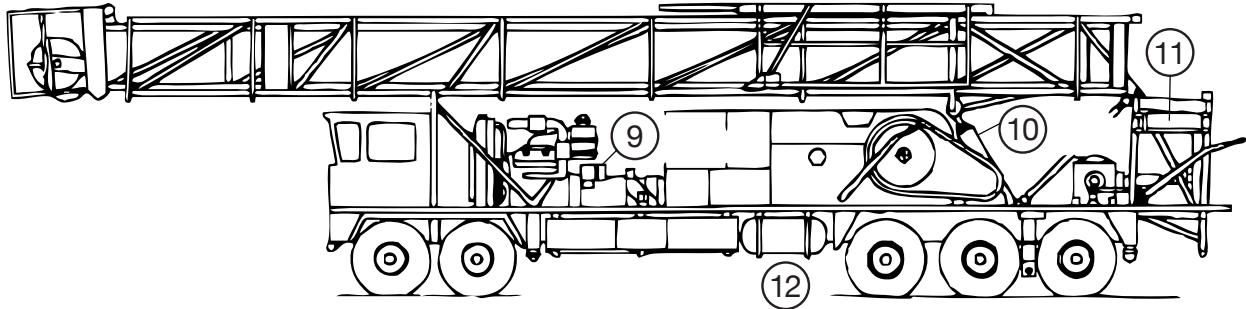


MOBILE RIG



DESCRIPTION

- 1 DRIVE U-JOINT
- 2 DRIVE, RT. ANGLE
- 3 CLUTCH
- 4 TANDEM, FRONT DRIVE, AXLE & SUSPENSION
- 5 TANDEM, REAR DRIVE, AXLE & SUSPENSION
- 6 JOINT, UNIVERSAL, DRIVE LINE

- 7 DRIVE ROTARY ELEVATED
- 8 BRAKE, HYDRO
- 9 PUMP, HYDRAULIC
- 10 CYLINDER, RAISING
- 11 CONTROLS, AIR
- 12 TANK, AIR