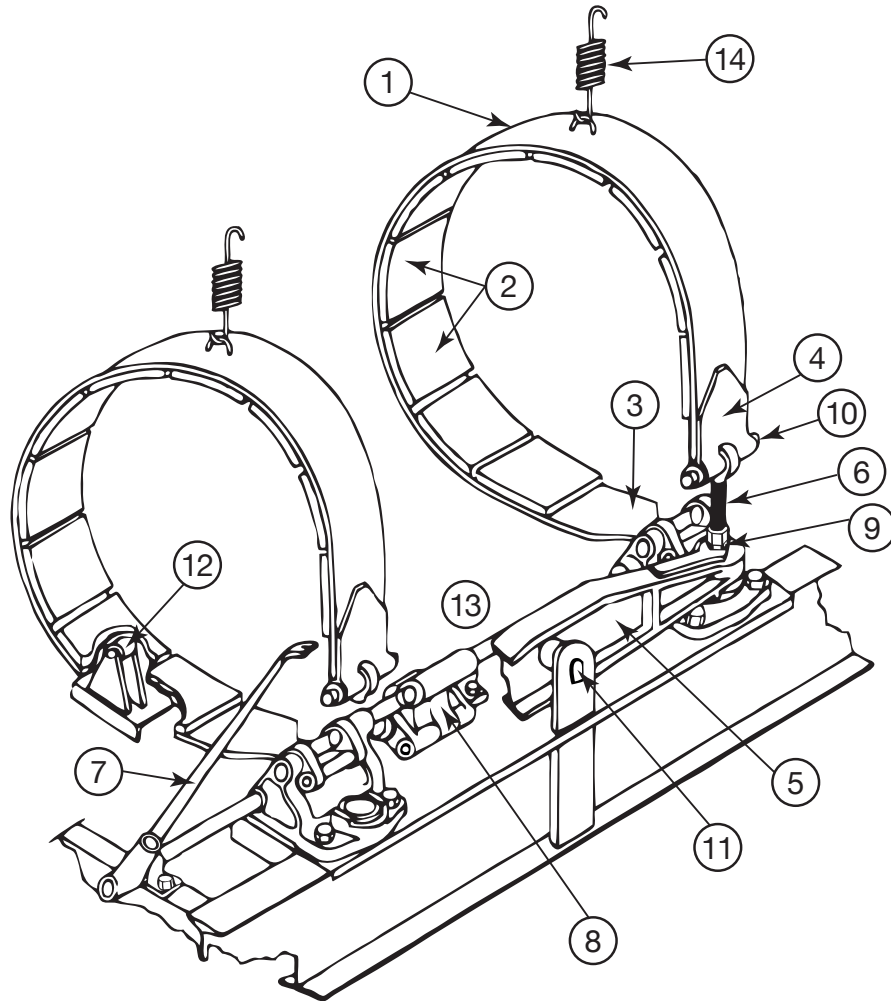


BRAKE SYSTEM



DESCRIPTION

1 BAND, BRAKE

2 BLOCKS

3 END LIVE

4 END DEAD

5 EQUALIZER

6 EYE BOLT

7 LEVER BRAKE

8 LINK

9 NUT ADJUSTING

10 PIN DEAD END

11 PIN EQUALIZER

12 ROLLER

13 SHAFT

14 SPRING