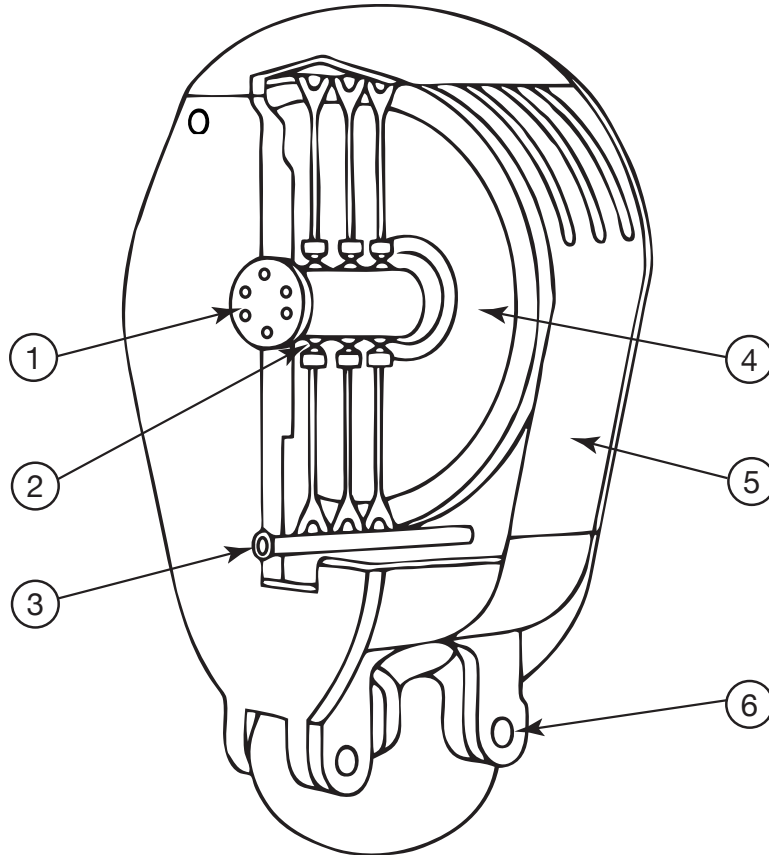


BLOCK



DESCRIPTION

1 SHEAVE SHAFT

2 SHEAVE BEARING

3 TIE BOLT

4 SHEAVE

5 SHEAVE GUARD

6 LOWER BAIL PIN